

RF current probe calibration fixture

EM5012



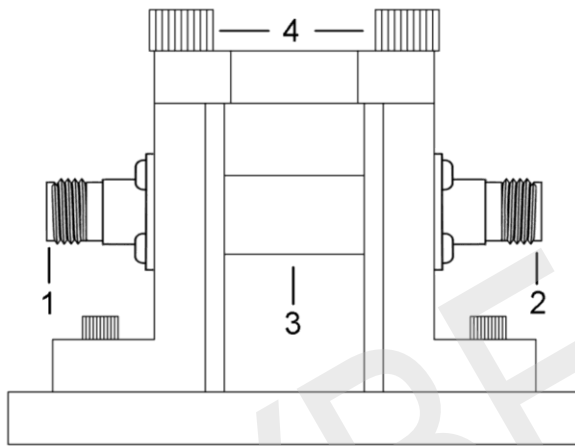
Shenzhen Zhiyong Electronics Co., Ltd

1. Summary

EM5012 current probe calibration fixture is designed for the current calibration of our EM5011, and it can also realize calibration by cooperating with other related current test product. With 50Ω characteristics impedance, Type N coaxial input output port, ø20mm central conductor. Standard 2W 50Ω load (maximum 50W load according to customers' need. This calibration fixture can execute CS114, CS115, CS116 test from GJB151A-97 GJB152A-97 cooperating with other related product.

2. Product and Accessories

◆ Product



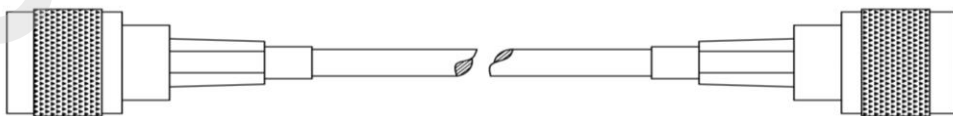
1.Input port: N female, connecting for input signal

2.Output port: N female, connecting for coaxial load.

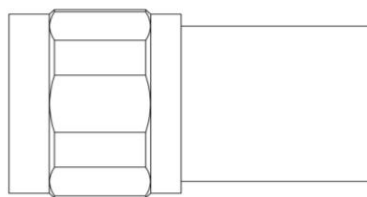
3.Calibration central conductor: standard ø20mm

4. Fastening screw: used for fix the upper cover. Unfix the screw, put in the probe and fix the screw on the cover.

◆ Accessories



CK-310A: double N male coaxial cable, 1 meter



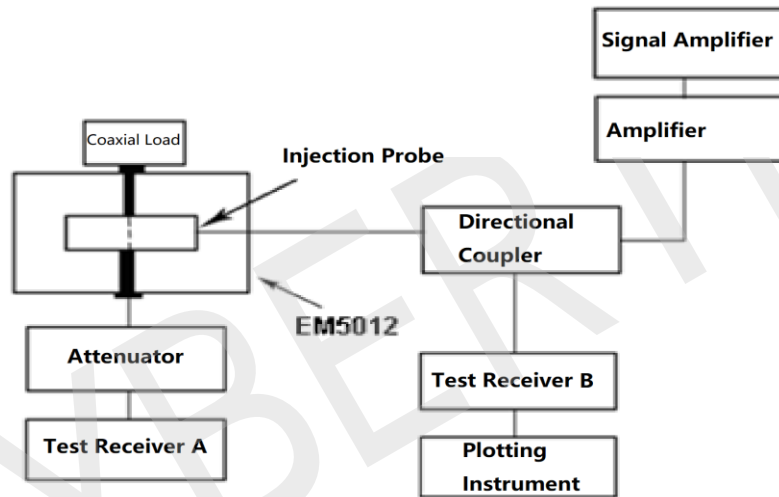
CK-50A: coaxial load, N male, 50Ω, 2W, 4GHz

3. Product Specification

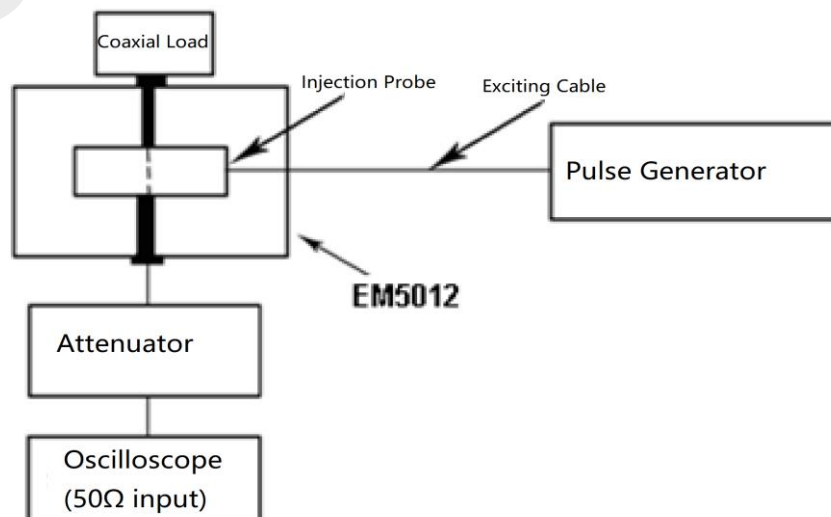
Frequency range	DC—1000MHz
Characteristics impedance	50Ω
VSWR	<1.5(average)
Injection power	2W(maximum load up to 50W)
Operating position	horizontal
Operating temperature and humidity requirement	0 ℃ to 40 ℃, 80%RH or less
Storing temperature and humidity requirement	-40 ℃ to 60 ℃, 80% RH or less
Dimension L × W × H	100x60x96mm
Weight	530g

4. Operation instruction

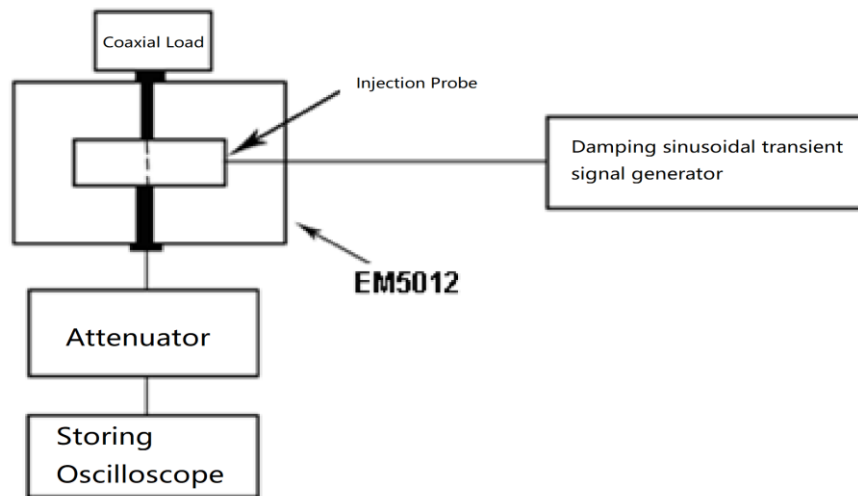
✧ GJB152A-97, CS114 current probe calibration figure



✧ GJB152A-97, CS115 current probe calibration figure



✧ GJB152A-97, CS116 current probe calibration figure



5. Packing List

Packing List	
Name	Amount
EM5012	1
Coaxial 50Ω load (CK-50A)	1
Double N male coaxial connector (CK-310A)	1
Instruction manual and warranty card	1
Test report	1

CYBERTEK

SHENZHEN ZHIYONG ELECTRONICS CO., LTD.

Addr: Room A1702, Building 4, TianAn Cyber Park, HuangGe North Road, LongGang District, ShenZhen City, China

Tel: +86-400 852 0005
+86-755-86628000

Q Q: 400 852 0005

Fax: +86-755-86620008

Email: cybertek@cybertek.cn

URL: <http://www.cybertek.cn>

© Zhiyong Electronics, 2018

Published in China, January 1, 2018